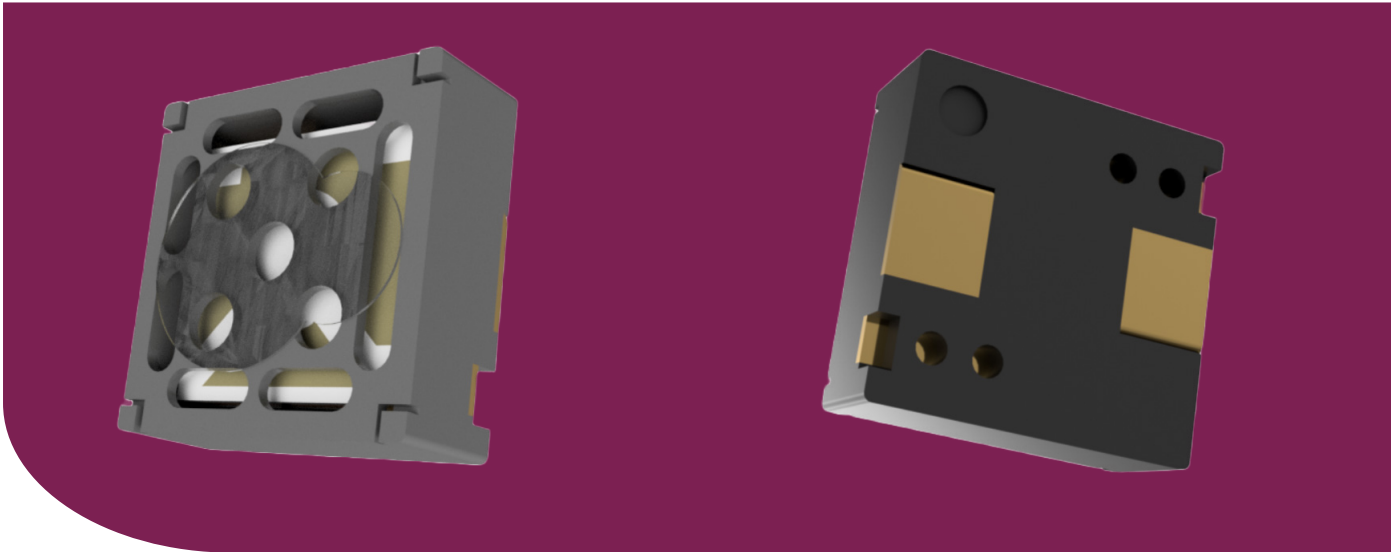




NEW PRODUCT HIGHLIGHT

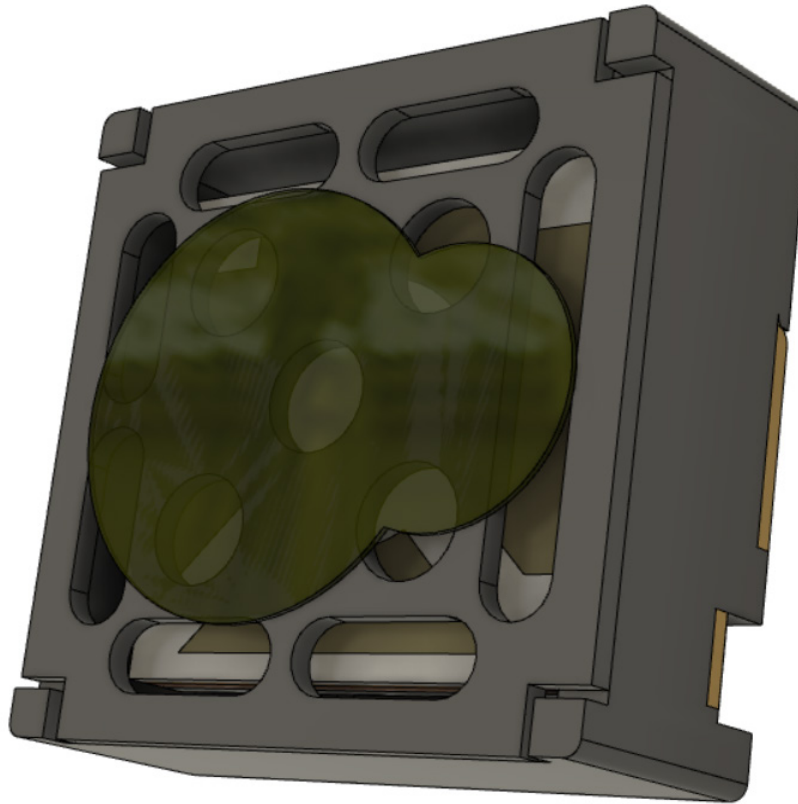
SURFACE MOUNT TRANSMITTER & RECEIVER

Part Number: [SMTUR-0540K-T](#)



KEY APPLICATIONS

- Proximity Sensors to detect presence or absence of object
- Parking Assist Systems
- Object Detection in Robotics
- Warehouse Inventory Management
- Hand Sanitizer Dispensers
- Automated Guided Vehicles
- Elevators Safety Systems
- Industrial Automation



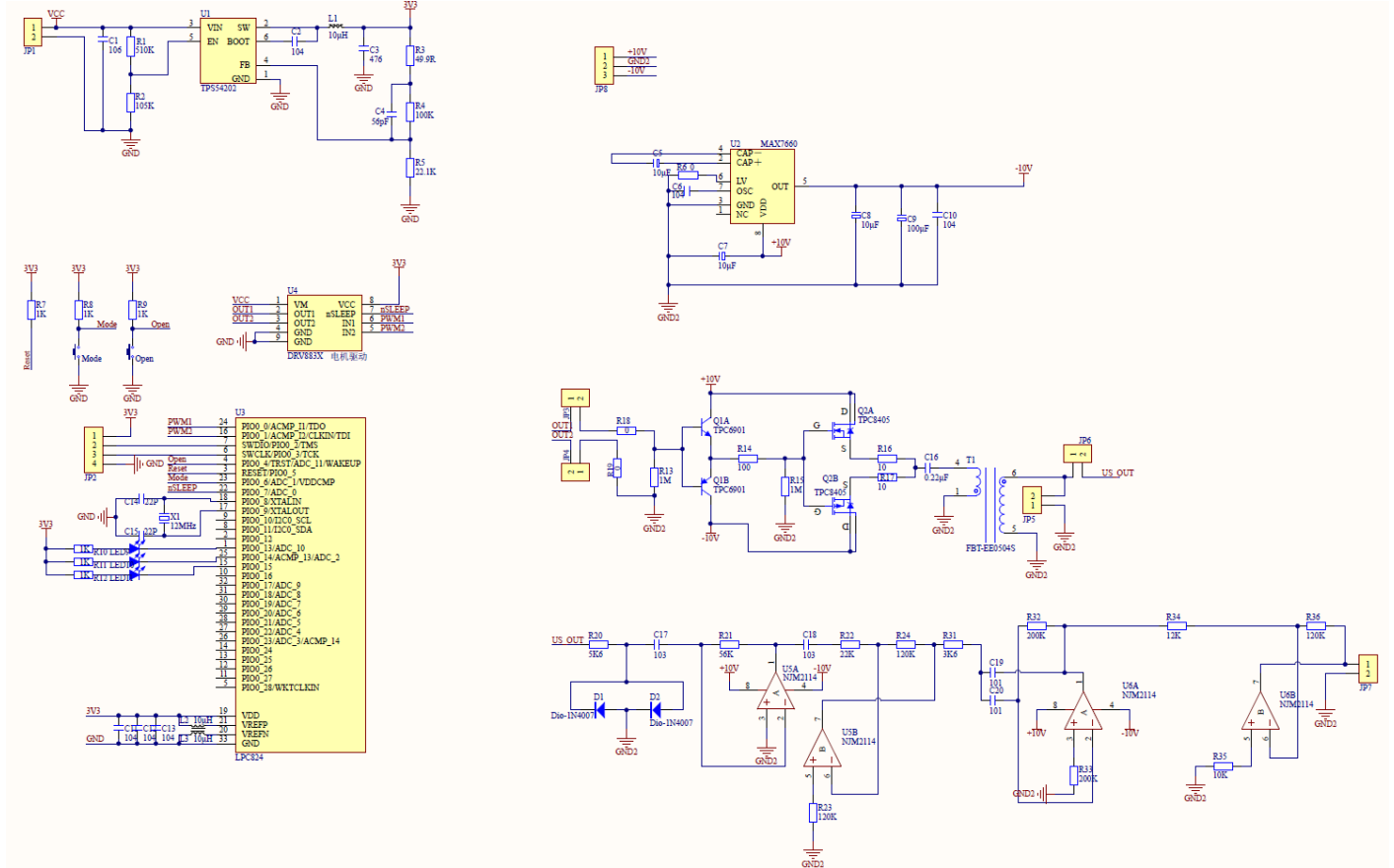
5.4 X 5.4 X 2.1 mm

SPECIFICATIONS

- | | |
|--------------------------------------|----------------|
| • Maximum Input Voltage | 10 Vp-p |
| • Capacitance (@ 1kHz) | 4,500 ± 20% pF |
| • Nominal Frequency | 40±1 kHz |
| • SPL (@40kHz, 6Vp-p / 15cm) | 95dB |
| • Sensitivity (@40kHz, 6Vp-p / 15cm) | ≥-65 dB |
| • Directivity | 88±5° |
| • Storage Temperature | -30 ~ +75 °C |
| • Operating Temperature | -20 ~ +70 °C |



DRIVE CIRCUIT




PUaudio

WHEN IT NEEDS TO BE HEARD

Additional Resources:
<https://puiaudio.com/wp-content/uploads/2023/02/Ultrasonic-Transducers-Highlight.pdf>