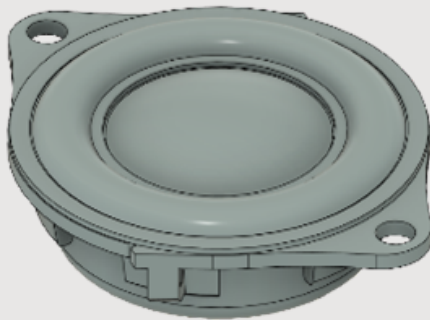


New Waterproof and Heat Resistant Speakers

PUI Audio offers new waterproof speakers that are ideal for harsh and hazardous environments or applications that require withstanding very high temperatures. Both flange mount and surface mount options are available.

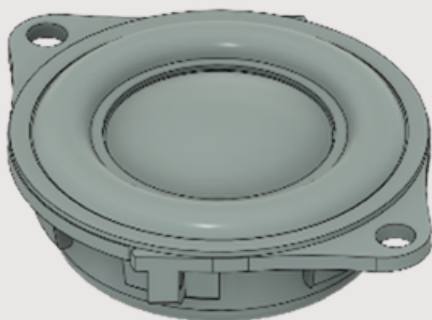
IP Rated Flange Mount Speakers

AS03104MR-F-WP-R



- Broad Frequency Range
- IP 65 Rated
- 94dB 230Hz~20kHz 3W Sine wave 10cm
- Φ 31mm, Height: 11.0mm
- Operating Temperatures: -20~+60 °C

AS04004MR-F-WP-R

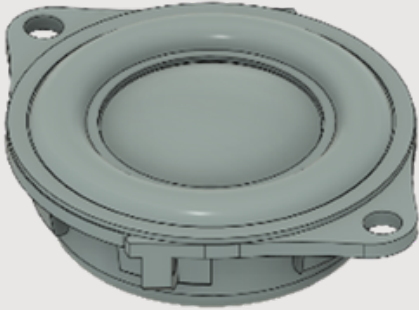


- Broad Frequency Range
- IP 65 Rated
- 81dB 160Hz~20KHz 3W Sine wave 10cm
- Φ 40mm, Height: 20.0mm
- Operating Temperatures: -25~+60 °C



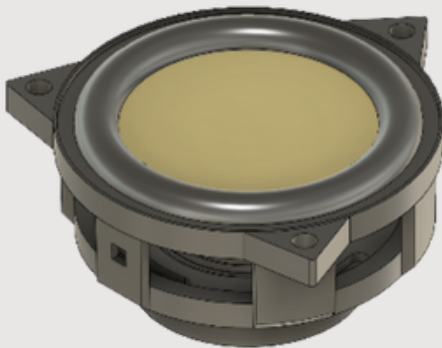


AS04304PR-F-WP-R



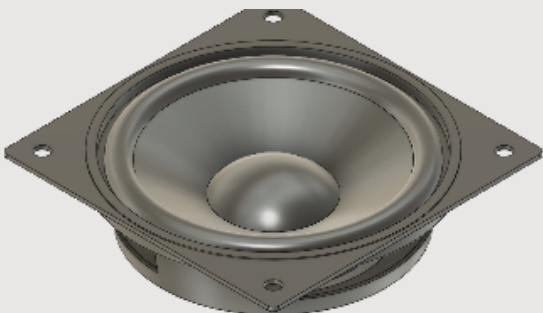
- Broad Frequency Range
- IP 65 Rated
- 85dB 180Hz~20kHz 3W Sine wave 10cm
- Φ 43mm, Height: 20.0mm
- Operating Temperatures: -20~+60 °C

AS04504PR-F-WP-R



- Broad Frequency Range
- IP 65 Rated
- 108dB 110Hz~20kHz 5W Sine wave 10cm
- Total Harmonic Distortion <5%
- Φ 45mm, Height: 24.0mm
- Operating Temperatures: -20~+60 °C

AS05004PS-2-F-WP-R

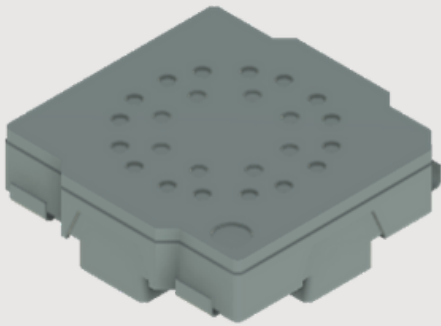


- Broad Frequency Range
- IP 65 Rated
- 80dB 200Hz~19kHz 3W Sine wave 10cm
- Total Harmonic Distortion <5%
- Φ 50mm, Height: 18.5mm
- Operating Temperatures: -20~+60 °C



High Temperature Surface Mount Speaker

SMS-2030MS



- 91dB 760Hz~10Khz 0.5W Since wave 10 cm
- Impedance: 30 Ohms
- 20 X 20 mm, Height: 7.0mm
- Reflow (surface mount) Punch holes to PCB
- Total Harmonic Distortion <5%
- Great noise cancellation effects
- Operating Temperatures: -40~+105 °C

